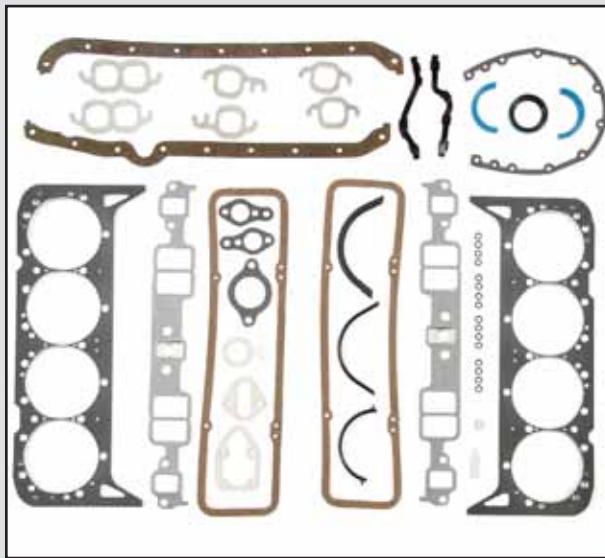
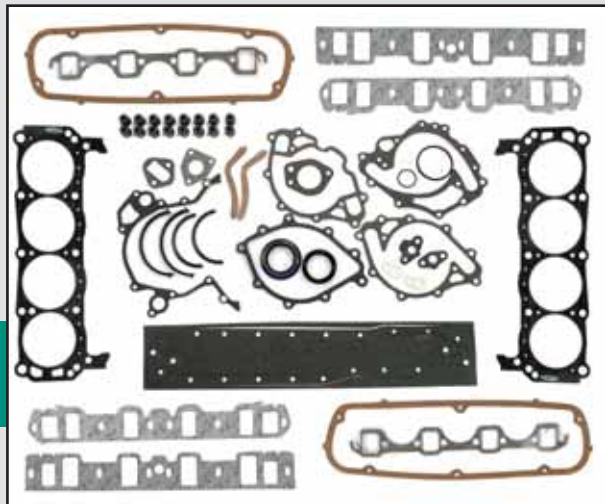




7100▲



7108▲



7120▲

ENGINE REBUILD OVERHAUL GASKET KITS

- Designed for stock, non-high performance engine rebuilds
- Engineered to meet or exceed OE gasket and seal specifications
- Overhaul gasket kits include all gaskets and seals to complete an engine rebuild

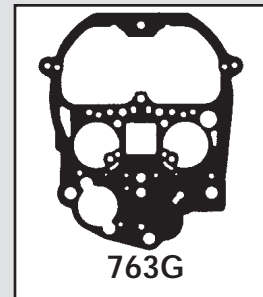
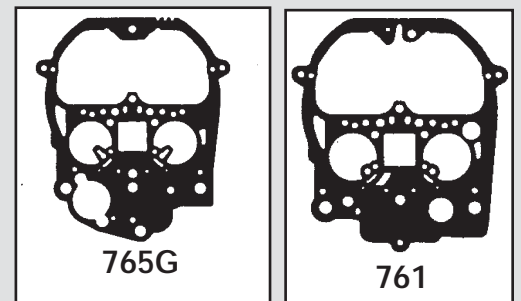
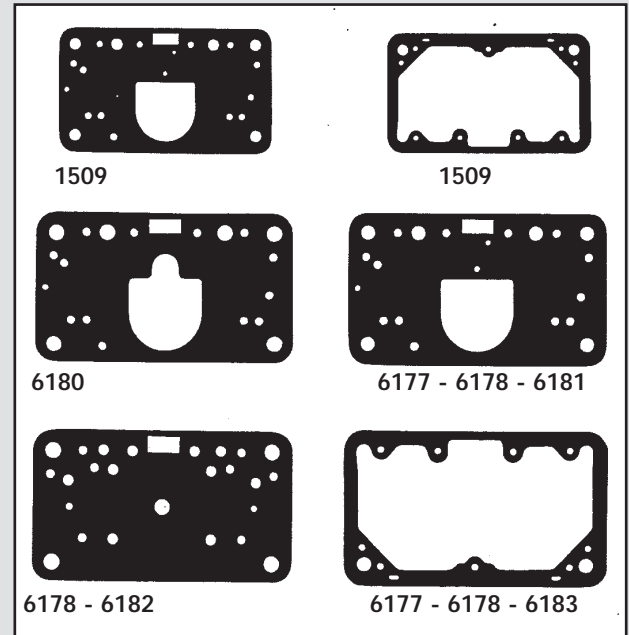
ENGINE OVERHAUL GASKET KITS

MAKE	ENGINE	YEAR	PART NO.
AMC	390-401	1967-78	7118
Buick	350	1968-81	7141
	400-455	1967-76	7142
Chevrolet	265-350	1957-79	7100
	283-350 (includes steel shim head gaskets)	1957-74	7104
	305	1987-93	7146
	305	1986	7147
	305	1980-85	7148
	305	1976-79	7149
	350	1980-85	7101
	350	1986	7102
	350	1987-91	7103
	400	1970-79	7108
Chrysler	396-454	1965-79	7106
	273-318	1967-81	7110
	360	1971-81	7112
Ford	383-440	1963-78	7115
	221-302	1962-82	7120
	302	1983-91	7121
	351W	1969-74	7123
	351W	1975-82	7124
	351W	1983-91	7125
	351C/M-400 (2 Bbl.)	1971-79	7127
	390-428	1961-71	7129
	429-460	1968-88	7130
	Honda	1.5L 1493cc D15B1, B2	1988-91
1.6L 1590cc D16A6		1988-91	7040G
Mitsubishi	2.0L 1997cc G63B SOHC (non-turbo)	1984-92	7041G
	2.0L 1997cc 4G63 DOHC (non-turbo)	1989-92	7042G
Oldsmobile	330-455 (does not include intake gaskets)	1964-76	7140
Pontiac	350-455	1965-76	7145

CARBURETOR FUEL BOWL AND METERING BLOCK GASKETS

- Replacement fuel bowl and metering block gaskets for Holley carburetors
- 6100 series gaskets are made from rubber coated material designed to minimize swelling and can be used with racing gasoline or alcohol
- Gaskets are available in matched pairs or packaged five per set

HOLLEY CARB. MODEL NUMBER	DESCRIPTION	QUANTITY	PART NO.
2300, 4150, 4160	Fuel Bowl and Metering Block Gasket set	1 each per set	1509
4150, 4160, 4165	Primary Metering Block Gaskets	5 per set	6180
2300, 4150, 4160	Metering Block Gaskets	5 per set	6181
4160, 4175	Secondary Metering Block Gaskets	5 per set	6182
2300, 4150 4160, 4500	Fuel Bowl Gaskets	5 per set	6183
4150	Fuel Bowl and Metering Block Gasket Set	2-each per set	6177
4160	Fuel Bowl and Metering Block Gasket Set	2-each per set	6178
4500	Fuel Bowl and Metering Block Gasket Set	2-each per set	6179



CARBURETOR AIRHORN (UPPER) GASKETS

- These gaskets eliminate the necessity of a complete carburetor rebuild kit
- Three part numbers fit most of the millions of Quadrajet carburetors in existence
- Made from a durable fuel and heat-resistant gasket material
- Airhorn gaskets are precision die cut for an exact fit

Universal Quadrajet Airhorn Gasket, 1966-74761
 Universal Quadrajet Airhorn Gasket, 1975-77
 & some '78-81763G
 Universal Quadrajet Airhorn Gasket, most 1978-81765G

CARBURETOR BASE VIBRATION ISOLATOR GASKETS

- Made from 1/4" thick closed cell foam rubber material
- Designed to stabilize fuel curve in carburetor fuel bowls
- Acts as a shock absorber to dampen fuel vibration, reduce fuel foaming and cut down erratic needle /seat motion

Holley and Demon square flange 4-bbl. carburetors.
 Fits open center intake manifold4277G
 Holley and Demon square flange 4-bbl. carburetors.
 Fits 4-hole intake manifold.4278G
 Holley Dominator and King Demon carburetors.
 Fits open center intake manifold4279G
 Holley Dominator and King Demon Carburetors.
 Fits 4-hole intake manifold4280G

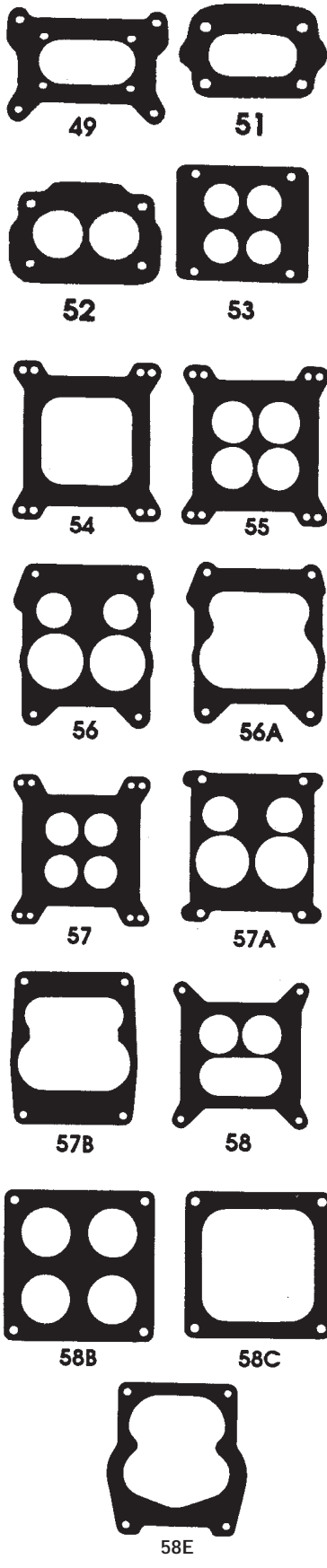


CARBURETOR BASE GASKETS

- Made from durable 1/16" and 1/4" thick cellulose/nitrile composite gasket material
- Precision die cut for an excellent seal and fit
- Available bulk or skin packaged

CARBURETOR BASE GASKETS - ULTRA-SEAL® III

- Made from synthetic high-tensile strength and high-temperature gasket material
- Delivers excellent sealing properties for oil, fuel and coolant
- Seals using low flange pressure (clamp force), conforms to and seals any imperfections on sealing surfaces
- Releases easily (no scrapping required) will not stick to mating surfaces when disassembling engine



APPLICATIONS	PERF. BULK PACKAGED 1/16" THICK	PERF. SKIN PACKAGED 1/16" THICK	ULTRA SEAL III SKIN PACKAGED 1/16" THICK	PERF. SKIN PACKAGED 1/4" THICK
HOLLEY CARBURETORS				
4 bbl. - Open Center	54	54C	4254G	757
4 bbl. - Open Center fits 1 3/4" bore 850, 950, 1000 cfm carbs	54	54C	4254G	757
4 bbl. - 4 Hole - 1 3/4" Bore fits most square flange carbs	55	55C	4255G	758
4 bbl. - 4 Hole Or Open Center perforated center can be removed		48C		
4 bbl. - 4 Hole - 4500 Dominator 2" Bore	58B		4258G	
4 bbl. - Open Center - 4500 Dominator	58C		4257G	
2 bbl. - Split 4500 Dominator, Atrp Plt Top			4260G	
2 bbl. - Split 4500 Dominator, Atrp Plt Bttm			4261G	
4 bbl. - Open Center - Spread Bore	58E			
3 bbl. - 3 Hole	58			
2 bbl. - Open Center - 350/500 CFM	49	49C	4249G	
CARTER CARBURETORS				
4 bbl. - 4 Hole - 1 1/2" Bore, 4GC/WCFB		50G		
4 bbl. - Open Center - AFB, AVS	54	54C	4254G	
4 bbl. - 4 Hole - 1 3/4" Bore	55	55C	4255G	
4 bbl. - 4 Hole Or Open Center perforated center can be removed		48C		
4 bbl. - 4 Hole - 1 7/16" Bore	57	57C		
4 bbl. - 4 Hole - Thermo Quad	57A			
4 bbl. - Open Center - Thermo Quad	57B			
DEMON CARBURETORS				
4 bbl. - Open Center - Race, Speed, Road	54	54C	4254G	757
4 bbl. - 4 Hole - Race, Speed, Road	55	55C	4255G	
4 bbl. - 4 Hole Or Open Center perforated center can be removed		48C		
4 bbl. - 4 Hole - King	58B		4258G	
4 bbl. - Open Center - King	58C		4257G	
2 bbl. - Split King, Adapter Plate Top			4260G	
2 bbl. - Split King, Adapter Plate Bottom			4261G	
EDELBROCK PERFORMER CARB				
4 bbl. - Open Center - Square Flange Carbs	54	54C	4254G	757
EDELBROCK Q-JET CARBS				
4 bbl. - 4 Hole	56	56C	4256G	759
4 bbl. - Open Center	56A			
ROCHESTER CARBURETORS				
4 bbl. - 4 Hole - Square Flange Carb	53			
4 bbl. - 4 Hole - Quadrajt	56	56C	4256G	759
4 bbl. - Open Center - Quadrajt	56A			
2 bbl. - Open Center	51			
Small Base 1 7/8" x 3 1/4"				
2 bbl. - 2 Hole	52			
Large Base 2" x 3 11/16"				

AIR CLEANER BASE GASKET

- Made from durable 1/16" thick cellulose/nitrile composite gasket material
- Precision die cut for an excellent seal and fit

Fits 4 and 2 Bbl. Air Cleaners w/5 1/8", 4 7/32", 3" and 2 5/8" Dia. Base6185

Holley Dominator Air Cleaner Gasket.....6186

TUNNEL RAM MANIFOLD GASKETS

- Made from durable 1/16" thick cellulose/nitrile composite gasket material
 - Packaged two per kit
- Fits Edelbrock TR-1X and TR-1Y **665**

SUPERCHARGER GASKETS

- Made from durable 1/16" thick cellulose/nitrile composite gasket material
- Precision die cut for an excellent seal and fit

APPLICATIONS	GASKETS
GMC	
671,871 base gasket 1/32" thick	671G
671,871 base gasket 1/16" thick	674G
671/871 injector base gasket 1/16" thick	672G
671/871 injector base gasket with screen 1/16" thick	673G

SUPERCHARGER FRONT COVER GASKET SET

- Fits GMC and most after market 71 Series Superchargers, except "V" styles
 - Made from durable .047" thick cellulose/nitrile composite gasket material
 - Includes front cover, drive housing and block-off plate gaskets
- Supercharger Front Cover Gasket Set **770G**

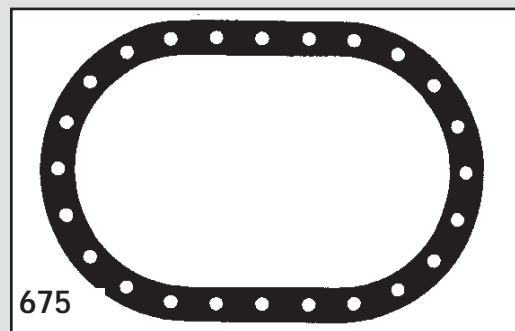
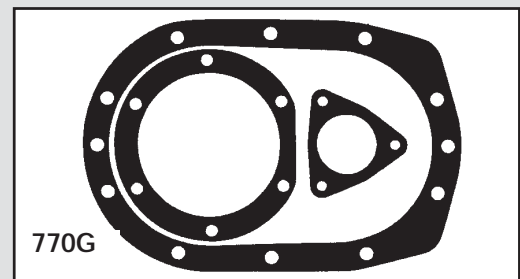
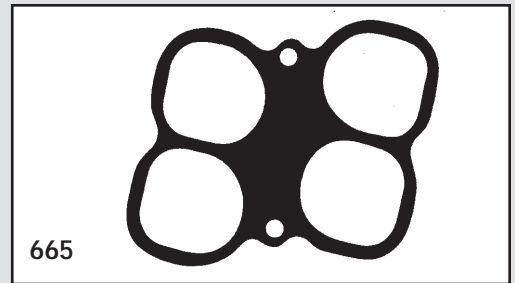
FUEL CELL GASKET

- Made from durable .047" thick cellulose/nitrile composite gasket material
- Overall 8" x 12" **675**

HEADER GASKET & FASTENER INSTALLATION KITS

- Includes gaskets and fasteners necessary for header installation
- Made using premium Ultra-Seal exhaust and collector gaskets
- Mr. Gaslet header and collector bolts deliver necessary clamp-load to seal flange mating surfaces

PART NO.	APPLICATION	YEAR	CID	LITERS	HEADER FLANGE TYPE
7650G	Chevrolet V-8	1955-91	265-400	4.3-6.6	Square Port
7651G	Chevrolet V-8	1955-91	265-400	4.3-6.6	Round Port
7652G	Chevrolet V-8	1955-91	265-400	4.3-6.6	Oval Port
7653G	Chevrolet V-8	1965-99	396-454	6.5-7.4	Square Port
7654G	Chevrolet V-8	1965-99	396-454	6.5-7.4	Round Port
7656G	Chrysler V-8	1975-91	318	5.2	Rectangle Port
7656G	Chrysler V-8	1968-91	340,360	5.6-5.9	Rectangle Port
7657G	Chrysler V-8	1959-78	383,440	6.3-7.2	Rectangle Port
7659G	Ford V-8	1965-95	289,302,351W	4.7-5.7	Rectangle Port
7660G	Ford V-8	1986-95	302	5.0	Oval Port
7664G	Oldsmobile V-8	1964-76	330-455	5.4-7.5	Rectangle Port
7665G	Pontiac V-8	1964-79	326-455	5.3-7.5	D-Port Port Center



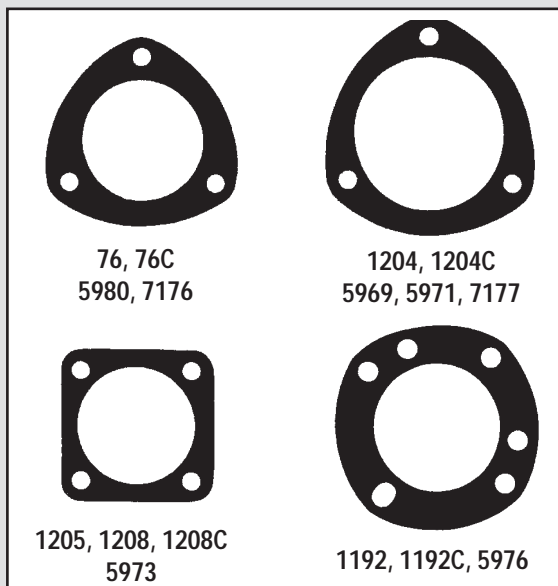
COLLECTOR AND HEADER MUFFLER GASKETS

- Collector/header muffler gaskets are designed to prevent leaks between header and collector flanges
- Bulk gaskets are sold individually, packaged gaskets are sold 2 per set.

TRIANGLE – 3 BOLT HOLES

HOLE DIA.	BOLT CIRCLE	BOLT HOLE	APPLICATIONS	BULK PERF.	PKG. PERF.	ULTRA SEAL	COPPER SEAL	EMBOSSSED ALUMINUM	SOLID ALUMINUM	EMBOSSSED STAN/STEEL
2-1/2"	31/2"	3/8"	Dynomax, Flowtech, Hedman, Hooker	76	76C	5980	7176 ⁽³⁷⁾ 7176C	7176A	7420G ⁽³⁸⁾	4885G
2-3/4"	31/2"	3/8"	Hush Thrush Muffler #510			5970				
3"	37/8"	3/8"	Dynomax, Flowtech, Hedman, Hooker	1204	1204C	5969 5971	7177 ⁽³⁷⁾ 7177C	7177A	7421G ⁽³⁸⁾	4886G
3-1/2"	47/16"	3/8"	Dynomax, Flowtech, Hedman, Hooker	1203	1203C	5972	7178 ⁽³⁷⁾ 7178 C	7178A	7422G ⁽³⁸⁾	4887G

(37) Bulk each (38) Includes mounting hardware

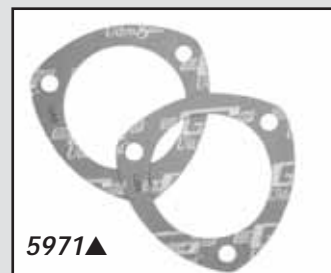
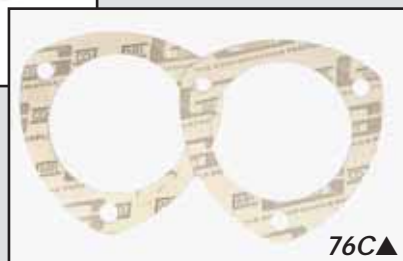


ROUND – 3 AND 4 BOLT HOLES

HOLE DIA.	BOLT CIRCLE	BOLT HOLE	APPLICATIONS	BULK PERF.	PKG. PERF.	ULTRA SEAL
2 7/8"	3-3/4" 3 Bolts 4"	3/8"	Hush Thrush Muffler 513	1192	1192C	5976
3 3/8"	4-3/8" 3 Bolt 4 1/2" 4 Bolt	3/8"	Hush Thrush Muffler 514	1193		5979

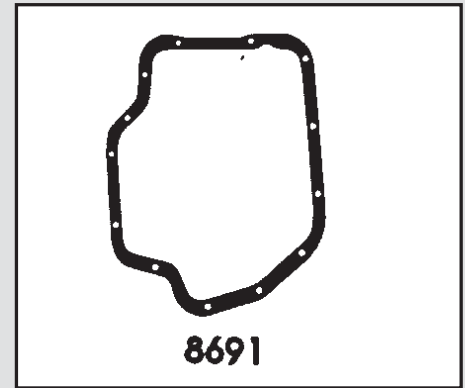
SQUARE – 4 BOLT HOLES

HOLE DIA.	BOLT CIRCLE	BOLT HOLE	APPLICATIONS	BULK PERF.	PKG. PERF.	ULTRA SEAL
3"	4 1/16"	3/8"	Black Jack 382	1193		5979



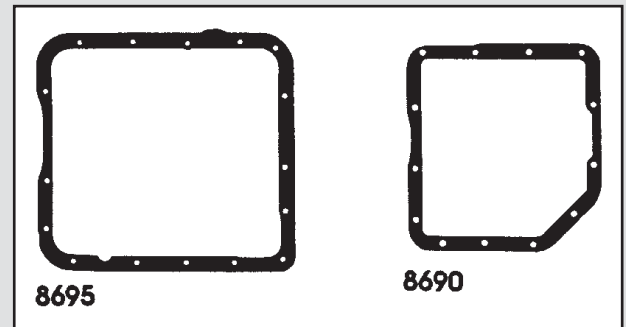
AUTOMATIC TRANSMISSION OIL PAN GASKETS

- Made from cork/neoprene gasket material which features excellent compressibility and high recovery to create a positive seal
 - These gaskets are available for the following transmissions:
- | | |
|----------------------|-------------|
| GM TH 700 R4 | 8695 |
| GM TH 350 | 8690 |
| GM TH 400 | 8691 |
| GM powerglide | 8693 |
| Chrysler - 727 | 8697 |



FIBER GASKET MATERIAL

- This gasket material delivers excellent sealing properties for oil applications
 - Used to make transmission side cover gaskets
 - Packaged in a poly bag
- | | |
|------------------------------|-------------|
| 1/64" x 9" x 36" sheet | 9610 |
| 1/32" x 9" x 36" sheet | 9611 |



CORK GASKET MATERIAL

- This gasket material delivers excellent sealing properties for oil applications
 - Used to make valve cover gaskets and intake manifold end seals
 - Packaged in a poly bag
- | | |
|-------------------------------|-------------|
| 1/16" x 12" x 36" sheet | 9612 |
| 1/8" x 12" x 36" sheet | 9613 |

COMPRESSED GASKET MATERIAL

- This gasket material delivers excellent sealing properties for oil, fuel and coolant applications
 - Used to make intake manifold, timing cover and water pump gaskets
 - Packaged in a poly bag
- | | |
|-------------------------------|-------------|
| 1/32" x 12" x 18" sheet | 9614 |
| 1/16" x 12" x 18" sheet | 9615 |

GASKET MATERIAL



EXHAUST GASKET MATERIAL

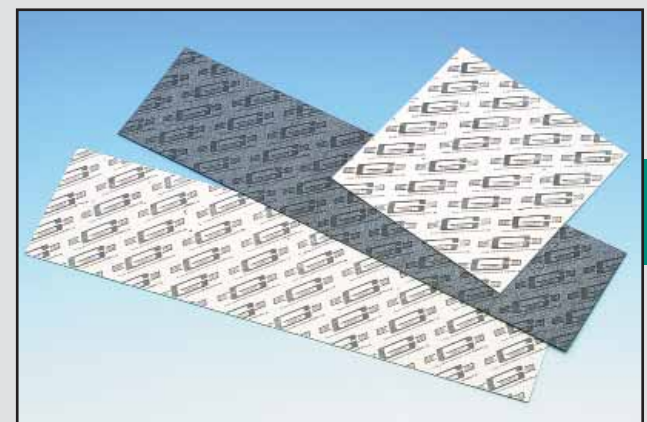
BULK PACKAGED

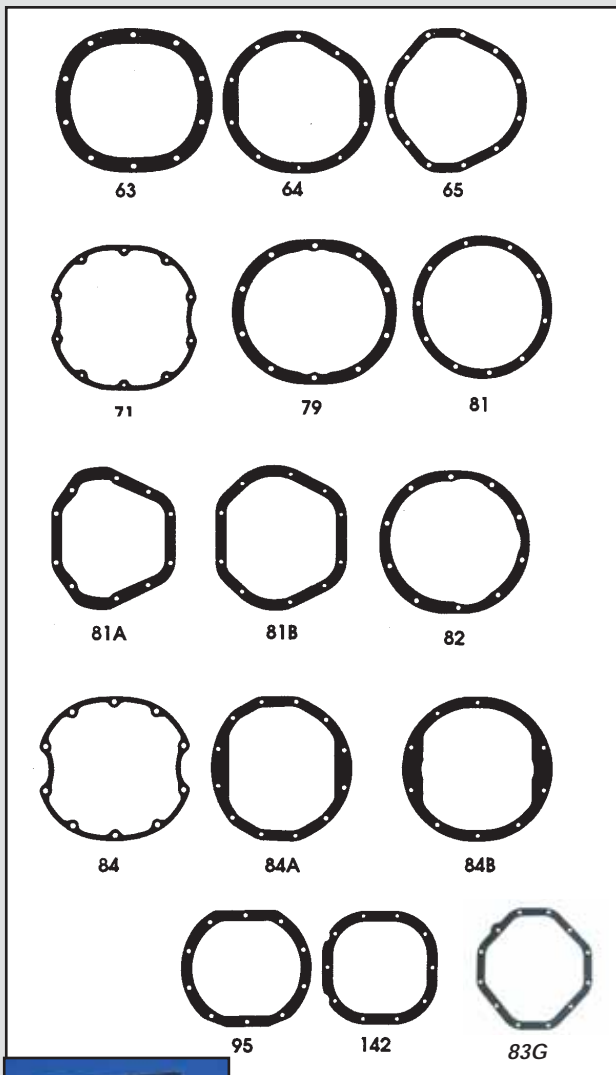
- Mr. Gasket's own 1/16" thick exhaust gasket material - used for special applications
- | | |
|--------------------------------------|-------------|
| 10" x 10" Performance material | 77 |
| 6" x 24" Performance material | 77A |
| 10" x 10" Ultra-Seal material | 5960 |
| 6" x 24" Ultra-Seal material | 5961 |

INTAKE GASKET MATERIAL

BULK PACKAGED

- Mr. Gasket Performance 1/16" thick intake gasket material - used for special applications
- | | |
|-----------------|------------|
| 12" x 12" | 77B |
| 6" x 24" | 77C |





AXLE HOUSING COVER & DIFFERENTIAL REAR END GASKETS

- Performance gasket are made from durable .047" thick cellulose/nitrile composite gasket material
- Precision die cut for an excellent seal and fit

ULTRA-SEAL® III GASKETS

- Delivers excellent sealing properties for oil, fuel and coolant
- Seals using low flange pressure (clamp force), conforms to and seals any imperfections on sealing surfaces
- Releases easily (no scrapping required) will not stick to mating surfaces when disassembling engine

APPLICATIONS	PERF. PART NO.	ULTRA SEAL III PART NO.
Chevrolet 10 Bolt 8.20" Ring Gear 1955-64	79	
Chevrolet 10 Bolt 7.50" Ring Gear 1977-02, Exc. Monza & Vega	63	
Chevrolet & GM Truck 10 Bolt 1977-90 Front Differential	64	
Chevrolet 10 Bolt 8.20" Ring Gear 1964-71	71	
Buick, Olds, Pontiac, Chevrolet 10 Bolt 8.20" Ring Gear 1965-81	84	
Chevrolet 10 Bolt 8.50" Ring Gear 1970-81	84B	
Chevrolet & GM Truck 12 Bolt 1964-82 8.875 Ring Gear, Rear Differential	65	
Chevrolet 12 Bolt 1965-72 8.875" Ring Gear, Passenger Car	84A	4602G
Ford 10 Bolt 9" Ring Gear 1957-81	82	4603G
Ford 10 Bolt, 7.50" Ring Gear 1979-96	95	
Ford 10 Bolt 8.80" Ring Gear 1981-06	142	
Chrysler 12 Bolt 8.75" Ring Gear 1961-74	81	
Chrysler DANA 60 & 70 12 Bolt 9.75" Ring, Gear 1966-84; Dodge/Plymouth Car & Truck Ford, Chrysler Truck	81A	
Dodge Truck 9.25" Ring Gear 1986-98	83G	



BLUE RTV SILICONE SEALER

- Makes reliable "formed-in-place" gaskets. Resists cracking, shrinking
- Use with pre-cut gaskets to increase reliability
- Temperature range -65 F to 500 F intermittent;
- Applications include intake manifold end seals, timing cover, water pump and thermostat housing

Blue RTV Silicone Sealer 3 oz. tube **7808**

OVERHAUL GASKET KITS FOR 4-SPEED TRANSMISSIONS

- These reusable gaskets let you check transmission gears for wear without the extra expense of replacement gaskets
- Precision die cut for an excellent seal and fit

APPLICATIONS	PART NO.
Borg-Warner T-10 and Super T-10 1957-79 without tailshaft seal.....	2491
Muncie 1963 thru mid 74 with tailshaft seal	2492

INTAKE PORT GAUGE

- This convenient gauge can be used to identify cylinder intake head port dimensions and reference the correct Mr. Gasket intake gasket to be used for installation
- There are 19 Chevy Small Block and 9 Big Block intake templates

Intake Maifold Gauge..... **73074G**